

WATER CIRCULATION PUMPS

AQUAVENT “SCHOLASTIC”

U4814



TAILOR-MADE FOR THE SCHOOL BUS

The Aquavent Scholastic water pump is specially designed for the school bus market. Reliable, high flowing and competitive pricing makes this pump the ideal solution.

WWW.SPHEROS.COM/US

SPHEROS

HIGHLIGHTS



Low life-cycle costs

- Low fuel consumption of vehicle due to reduced heater weight
- Brushless EC motor allows longer running times
- Easy to maintain



Environmentally friendly

- Low self-consumption of the heating of the heating over a heating period
- Reduces exhaust emissions at startup
- Less startup noise

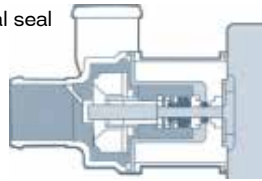


Comfort

- Motor-dependent heating operation
- 3 power levels 23 to 35 kw

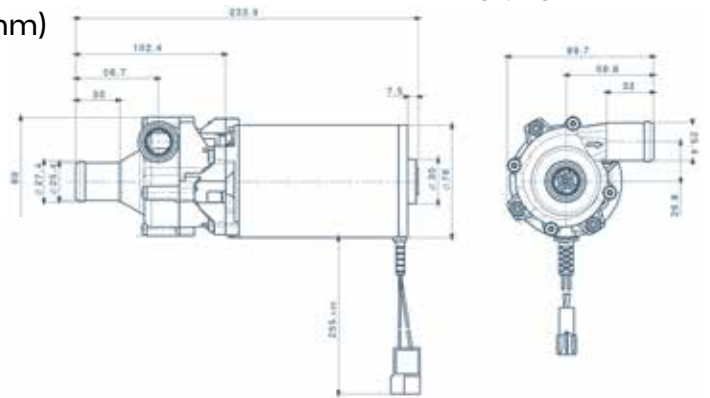
Functional representation

Aquavent Scholastic with mechanical seal

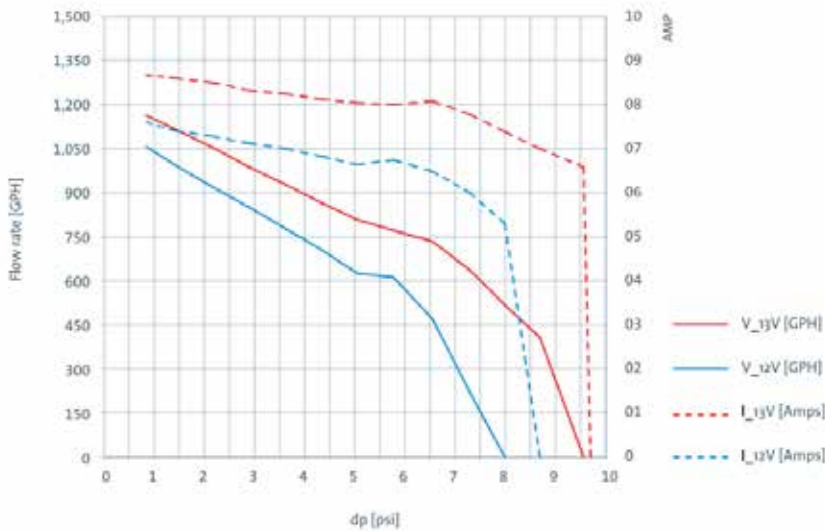


Dimensions

(mm)



Characteristic diagram Spheros Scholastic pump " at 12V and 13 V"



Features:

- Proven construction principle
- Lightweight composite housing reinforced with metal inserts in critical locations
- Compact design
- Ceramic shaft seal

TECHNICAL DATA

| Circulation pump | Volume flow (l/h) | Nominal voltage (V) | Power Consumption | Water Connections | Dimensions (L x W x H) | Weight |
|---------------------|--|---------------------|---|---------------------------------|------------------------|----------|
| Aquavent Scholastic | 950 GPH @ 7 ft Head 3,600 l/h @ 2.8 PSI | 12V or 24V | 8.6 Amps @ 12V or 4.3 Amps @ 24V (104 Watts) | 5/8 inch OD pipe and hose clamp | 9 x 39 x 4.1 inches | 4.6 lbs. |