

SPLIT SYSTEMS FOR SPECIALITY AND EMERGENCY VEHICLES

TROPICOOOL

25064 SKIRT MOUNTED CONDENSER



PERFORMANCE, RELIABILITY & LOOKS

Spheros provides the best performance and reliability for the application your vehicle requires by manufacturing several different condenser designs keeping in mind the speciality and emergency vehicle market.

WWW.SPHEROS.COM/US

SPHEROS

25064 SKIRT MOUNTED CONDENSER

HIGHLIGHTS



Design

- Designed to be skirt mounted
- High performance motors with extended brush life
- Fabricated from galvanized steel & covered in corrosion resistant epoxy for durability
- Inlet filter on condenser protects coil from contaminants



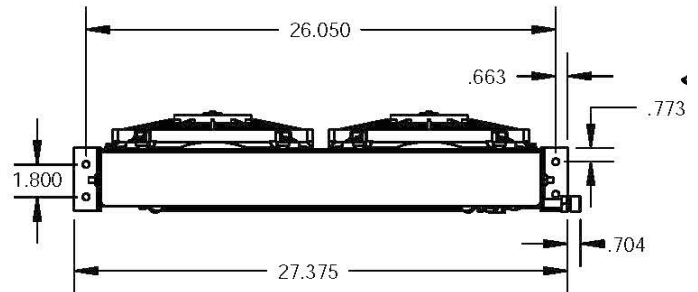
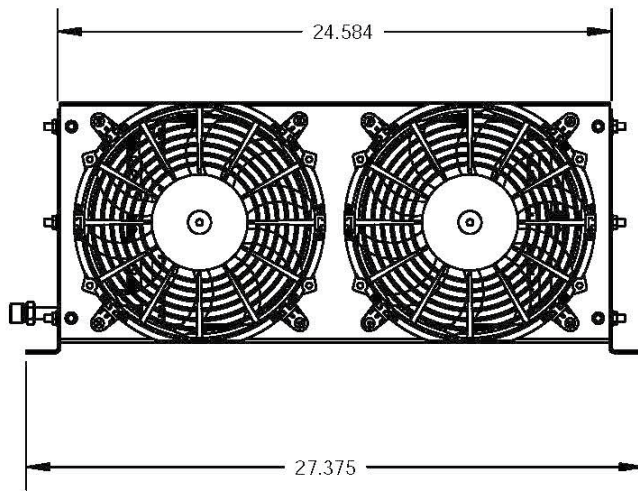
Environmental Friendliness

- High performance parallel flow condenser
- Highly efficient all aluminum micro channel coil



Features

- Two 10" diameter high performance fans covering a larger percentage of surface area on condenser coil
- Compact design allows for unit to be installed vertically in a variety of locations between the skirt and frame rail without having to cut the skirt



TECHNICAL DATA

Model	Up to Cooling Capacity	Power Consumption	Nominal Voltage	Dimensions W x H x D	Weight
25064	48,000 BTU/h	12 Amps	12V	24 x 10 x 5 in	20 lbs.