

SPLIT SYSTEMS FOR SHUTTLE AND SCHOOL BUSES

# TROPICOOOL

25058 ROOF TOP CONDENSER



## MINIMUM HEIGHT, MINIMUM WEIGHT

Spheros roof top condenser series features light weight, low profile, flat mounted designs granting high levels of performance and service.

[WWW.SPHEROS.COM/US](http://WWW.SPHEROS.COM/US)

**SPHEROS**

# 25058 ROOF TOP CONDENSER

## HIGHLIGHTS



### Design

- Designed to be roof mounted
- High performance motors with extended brush life
- Body constructed parallel flow condenser coil
- Inlet filter on condenser protects coil from contaminants



### Environmental Friendliness

- High performance parallel flow condenser
- Cover made from high impact TPO molded plastic (paintable & UV resistant)

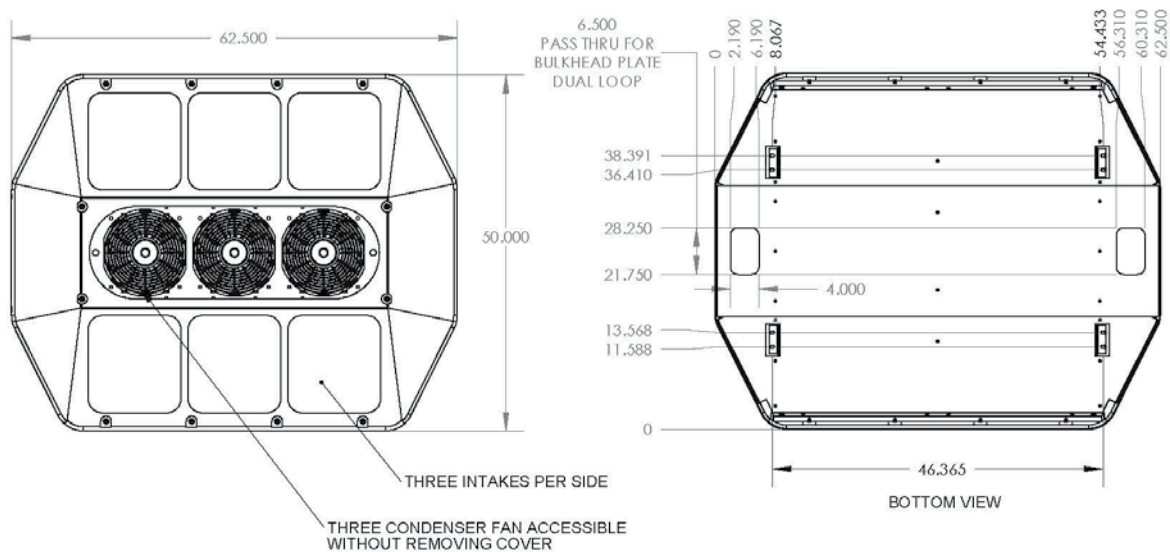


### Features

- Three 11" diameter fans easily accessible without removing cover
- Unique design allows for dual or single loop configuration

### Key Components

- Coil: 11471746A
- Fan: 180000035C(2)
- Filter: 08813978A



## TECHNICAL DATA

Model	Up to Cooling Capacity	Power Consumption	Nominal Voltage	Dimensions W x H x D	Weight
25058	165,000 BTU/h	29 Amps	12V	63 x 5 x 50 in	77 lbs