

MODUS COOL



Integrated exhaust ventilation boosting the performance

Modus Cool features a powerful exhaust ventilator, which ensures a constant and quick air exchange at the highest level*).

In addition, an integration of the exhaust ventilation to the equipped A/C unit maximizes the cooling capacity. Using the fans during the vehicle is stationary keeps the vehicle cooler, more comfortable and saves energy.

Modus Cool is available with 12V or 24V exhaust ventilator. Hatch operation control is available with either as a manually or as an electrically operated remote hatch control version.

*) An average bus with an air volume of 75m³ equipped with 2 Modus Cool hatches with an integrated ventilator at a capacity of 200m³/h / unit exchanges the air in the bus in less than every 10 minutes. This meets even highest demands, e.g. German VDV 236 regulation (conditions may vary depending on the fresh air intake).

HIGHLIGHTS



Low Life-Cycle Cost

- Maintenance free
- UV and weather proof materials
- No operation costs for ventilator hatch



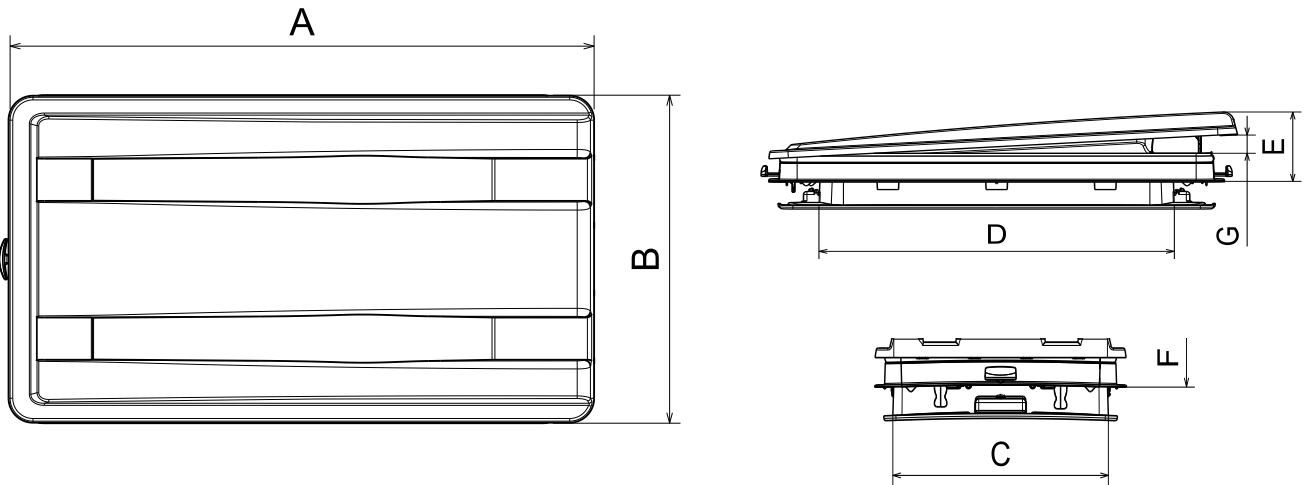
Environmentally friendly

- No energy needed for ventilation
- Swift cooling when parallel with A/C and exhaust fan
- Optimize ventilation according to outside temperature



Comfort

- Ventilator boosts cooling the vehicle
- Manual or electric remote control
- Integrated digital control unit
- Dedicated driver unit option
- Rain sensor option available
- Electric version has optional override
- Standard on-off switches can be used



TECHNICAL DATA

	Modus Cool
Cut-off (mm)	970 x 530
Dome (mm)	(A) 1080 x (B) 600
Interior opening (mm)	(D) 810 x (C) 510
Height close / open (mm)	(F) 115 / (E) 160
Ventilation opening (mm)	(G) 40
Weight hatch (kg)	9.3
Weight inner trim (kg)	≈ 1.2 / T=50
Hatch operation voltage (V)	-
Ventilator Voltage (V)	12 / 24
Ventilator air displacement (m ³)	>200
Fuse Hatch Operation (A)	-
Fuse Ventilator (A)	10 / 5
Control unit	-
Emergency Exit approval	UN ECE R.107r5
Flammability approval	UN ECE R.118.01
EMC approval Hatch	-
EMC approval Ventilator	UN ECE R.10.05