

Rooftop air conditioner for shuttle and school buses

# COMPACT COOLER CC145



## Compact, lightweight, innovative and – cool

The modular CC145 rooftop unit was specially designed for original equipment installation and aftermarket on shuttle and school buses.

It shines at the top of its class with strong performance, a maintenance-friendly design and impressively low life cycle costs.

[WWW.SPHEROS.COM](http://WWW.SPHEROS.COM)

**SPHEROS**    
motherSON

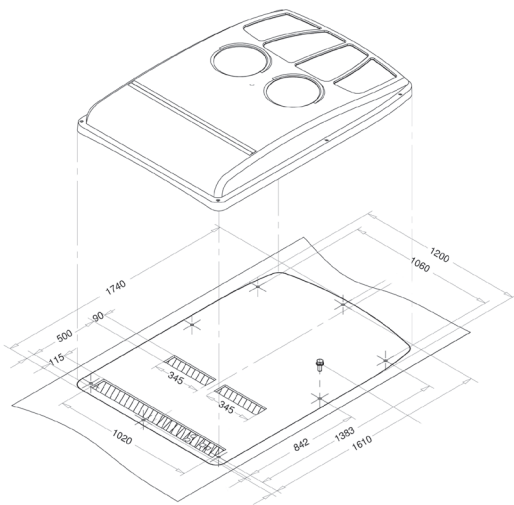
# Compact Cooler CC145

## HIGHLIGHTS

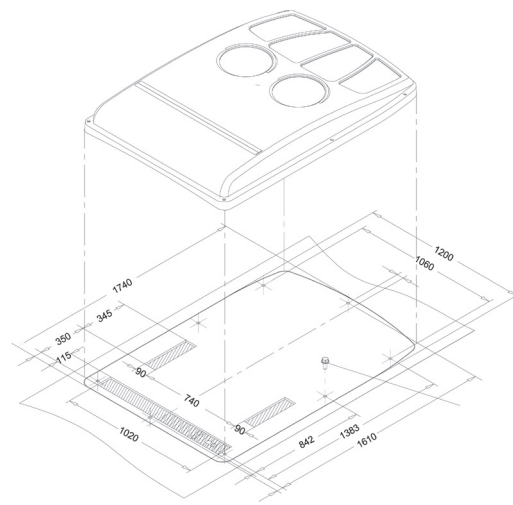
- Low weight
- Simple and quick installation
- Suitable for original equipment and aftermarket installations
- Low maintenance, low operating costs over the product life cycle (LCC)
- Modern, compact and streamlined design
- Two alternative evaporator blower position – for central or lateral air ducts
- Available with electronic or manual controllers

### Product variants

#### 1. Central air outlet



#### 2. Lateral air outlet



## TECHNICAL DATA

	CC145 T
Cooling capacity (nominal)	9.5 kW
Cooling capacity (full load)	14 kW
Heating output Q100	Optional
Air flow Evaporator (free-blowing)	2040 m <sup>3</sup> /h
Air flow Condenser (free-blowing)	5500 m <sup>3</sup> /h
Weight (Evaporator + Condenser)	87,0 Kg
Fresh-air	N/A
Voltage	12V (24V)
Current consumption	65A (45A)
Recommended compressor	TM-21
Control Panel	GLW-210 / SBU410

