

HEAT/COOL UNIT FOR SPECIALITY AND EMERGENCY VEHICLES

# TROPICOOOL

22090 HEAT/COOL SERIES



## EXTREME CLIMATE SOLUTIONS

A series of extreme climate solutions for both warm and cold weather conditions. With maximum flexibility in system configurations, a properly balanced system is obtainable due to our wide array of heat cool models for our specialty and emergency vehicle customers.

[BEST-BUS-CLIMATE.COM/US](http://BEST-BUS-CLIMATE.COM/US)



# 22090 HEAT/COOL SERIES

## HIGHLIGHTS



### Design

- Standard for ambulance and emergency vehicle industry
- Dynamically balanced twin shaft blower assembly
- Orifice tube/accumulator in lieu of TXU/drier
- Combination enhanced Heat/Cool coil



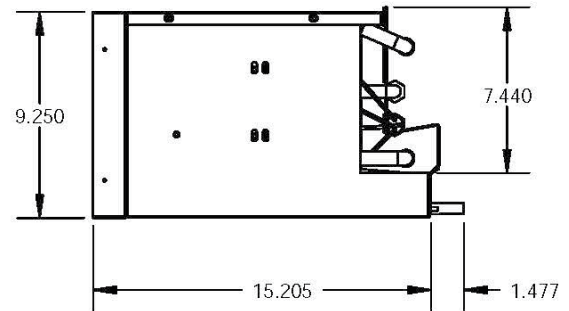
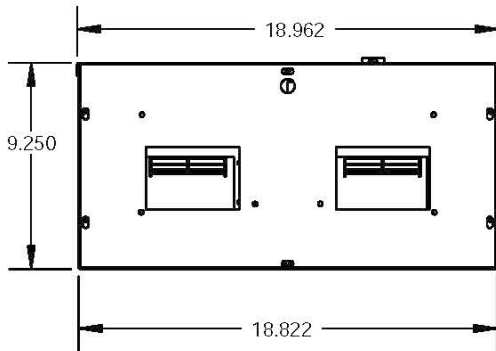
### Environmental Perks

- UV light kills airborne micro organisms such as viruses, bacteria, yeasts, and fungus in seconds
- Long life high efficiency lamp rated 3,000+ hours
- 12 Volt DC operation
- Lower Power consumption of less than 2 Amps



### Key Components

- Coil: 11471635E
- Blower Assembly: 26060048A
- Orifice Tube: 08800502A



## TECHNICAL DATA

Model	Up to Cooling Capacity	Evaporator Airflow	Power Consumption	Nominal Voltage	Heating Capacity	Dimensions L x W x H	Weight
22090	32,000 BTU/h	580 CFM	19 Amps	12V	43,300 BTU/h	18 x 15 x 9 in	28 lbs.



Valeo Thermal Commercial Vehicles North America, Inc. - 22150 Challenger Drive Elkhart, IN 46514  
 Phone 574-264-2190 - Toll free 800-462-6322 - Fax 574-326-3015  
 www.valeo-thermalbus.com/us - tcv.na-sales.mailbox@valeo.com

Valeo Thermal Commercial Vehicles (TCV), formerly known as ACC Climate Control/Spheros North America.