

HEAT/COOL UNIT FOR SPECIALITY AND EMERGENCY VEHICLES

TROPICOOOL

22007 HEAT/COOL SERIES



EXTREME CLIMATE SOLUTIONS

A series of extreme climate solutions for both warm and cold weather conditions. With maximum flexibility in system configurations, a properly balanced system is obtainable due to our wide array of heat cool models for our speciality and emergency vehicle customers.

BEST-BUS-CLIMATE.COM/US



22007 HEAT/COOL SERIES

HIGHLIGHTS



Design

- Standard for ambulance and emergency vehicle industry
- Dynamically balanced twin shaft blower assembly
- Up-flow design, rear intake
- Combination enhanced Heat/Cool coil
- Orifice tube/accumulator in lieu of TXU/drier



Environmental Perks

- UV light kills airborne micro organisms such as viruses, bacteria, yeasts, and fungus in seconds
- Long life high efficiency lamp rated 3,000+ hours
- 12 Volt DC operation
- Lower Power consumption of less than 2 Amps

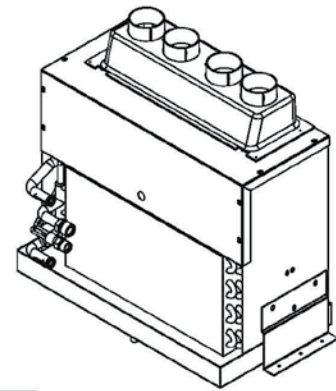
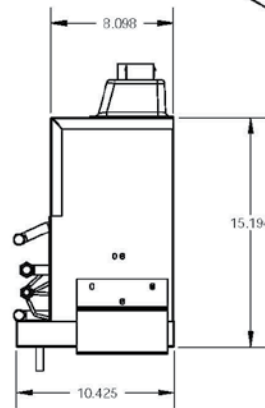
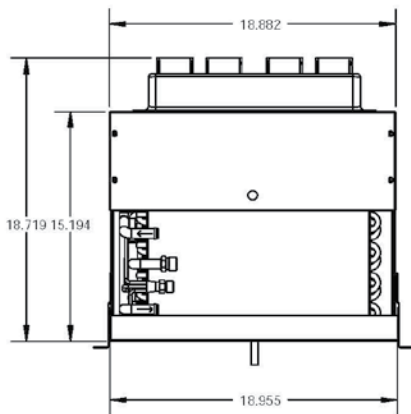
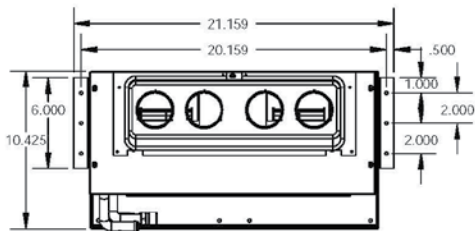


Key Components

- Coil: 11471635E
- Blower Assembly: 26060048A
- Orifice Tube: 08800502A
- Plenum Options Available

Options for Outlets

- 4- 2 1/2" outlets
- 4- 3" outlets
- 2- 2 1/2" & 2-3" outlets
- 2- 3" outlets



TECHNICAL DATA

Model	Up to Cooling Capacity	Evaporator Airflow	Power Consumption	Nominal Voltage	Heating Capacity	Dimensions L x W x H	Weight
22007	32,000 BTU/h	580 CFM	19 Amps	12V	43,300 BTU/h	8 x 19 x14 in	30 lbs.



Valeo Thermal Commercial Vehicles North America, Inc. - 22150 Challenger Drive Elkhart, IN 46514
 Phone 574-264-2190 - Toll free 800-462-6322 - Fax 574-326-3015
 www.valeo-thermalbus.com/us - tcv.na-sales.mailbox@valeo.com

Valeo Thermal Commercial Vehicles (TCV), formerly known as ACC Climate Control/Spheros North America.