

Merely illustrative image

VENTILATION AND AIR RENEWAL SYSTEM

Urban

CITYVENT®

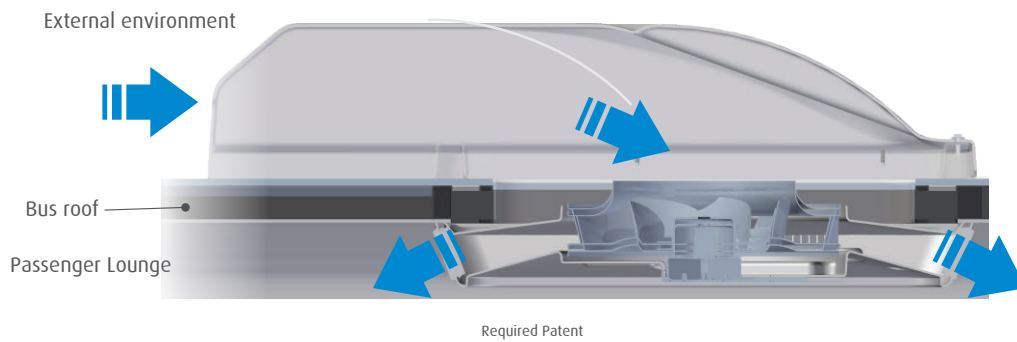
Smart ventilation
for city buses

Valeo

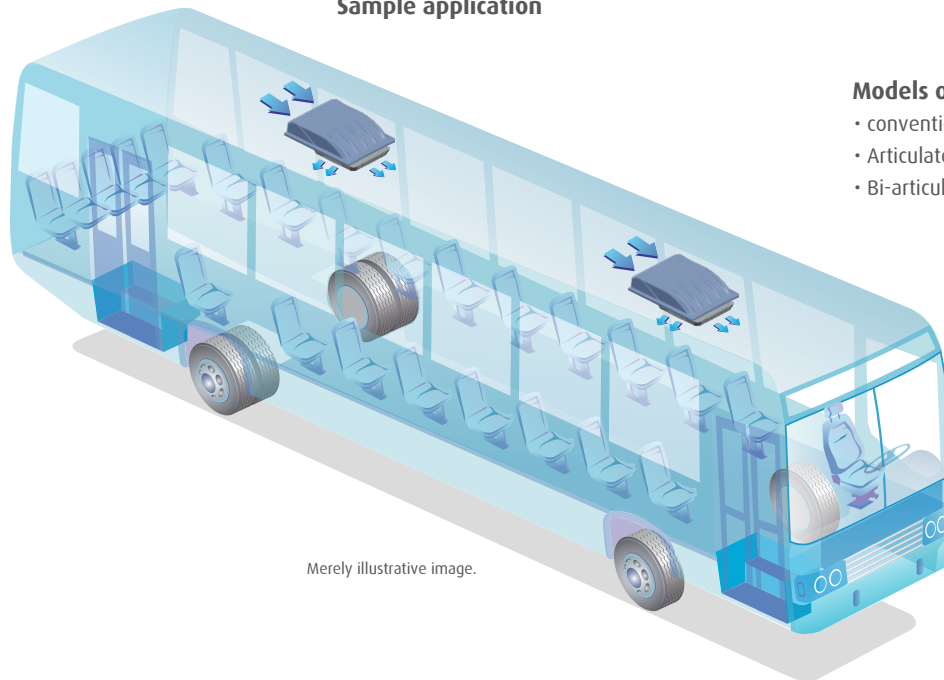
Technical data

| Highlights | CITYVENT® | |
|--------------------------|-----------------------|--|
| Technical Specification | According NBR 15570 | |
| Weight | 27 Kg | |
| Air flow | 1950m ³ /h | |
| Dimension L x W x H (mm) | 1200 x 950 x 240 | |
| Voltage (DC) | 24V | |
| Amperage | 5A | |

Operation



Sample application



Models of buses

- conventional city bus
- Articulated
- Bi-articulated

Advantages

Installation

- Simple

Air diffuser

- Direct blowing

Maintenance

- Easy maintenance and cleanliness
- Removable cover

Ventilation

- 100% Fresh air
- Uniform and pleasant air movement, direct air blowing
- Possibility of fresh air also when parked
- Specially designed radial blower

