

# VISION

## INSTALLATION INSTRUCTIONS FOR MANUAL EMERGENCY EXIT MODELS



### TERMS AND CONDITIONS FOR HANDLING AND INSTALLATION

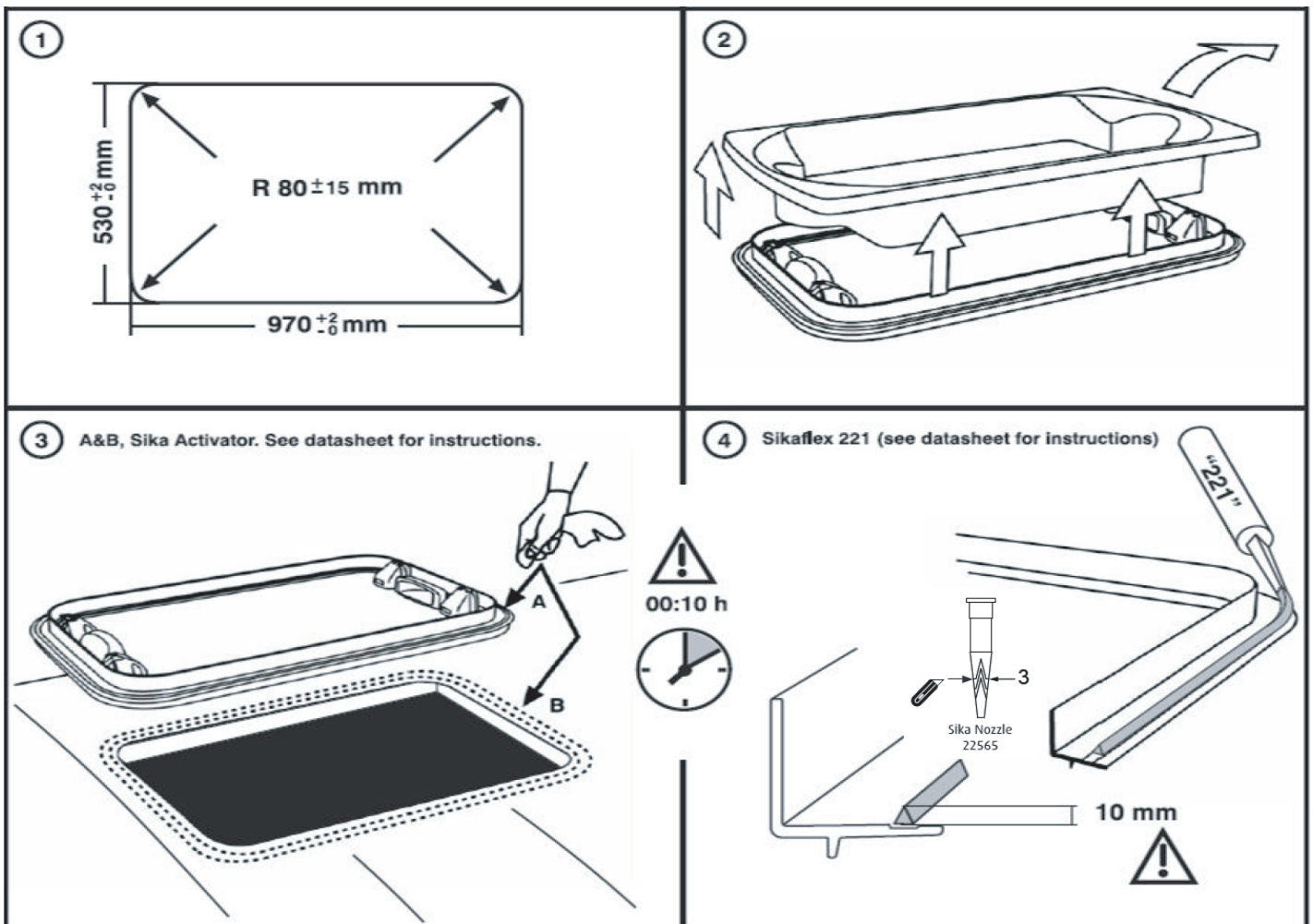
Handle the VISION product with care. Don't lift product from glass edge cover!

Assembly surfaces must be clean and dry. Ideal assembly temperature is 15°C - 25°C in 50% relative humidity.

The warranty is valid when installation is made according to these instructions.

### Validated installation accessories (not included)

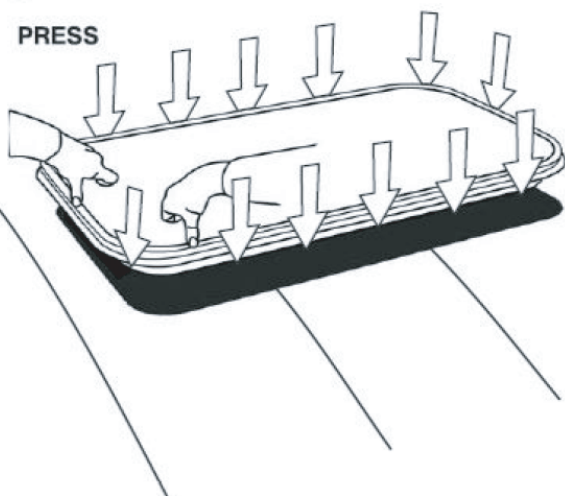
- Sika Aktivator-100
- Sikaflex-221
- Sika Nozzle 22565 to shape number 3
- Screwdriver





# Installation instructions for VISION Manual Emergency Exit models


**5** Place hatch into opening.

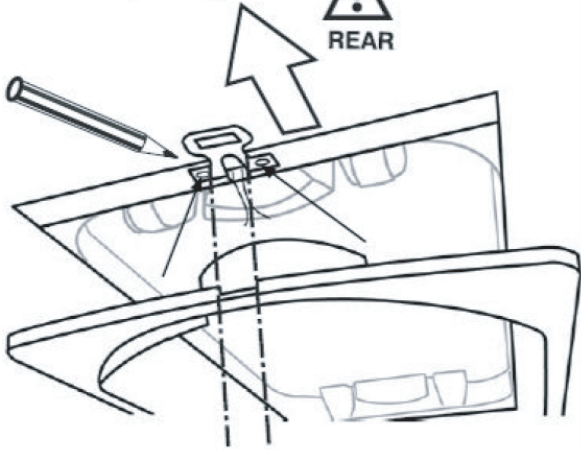
**PRESS**



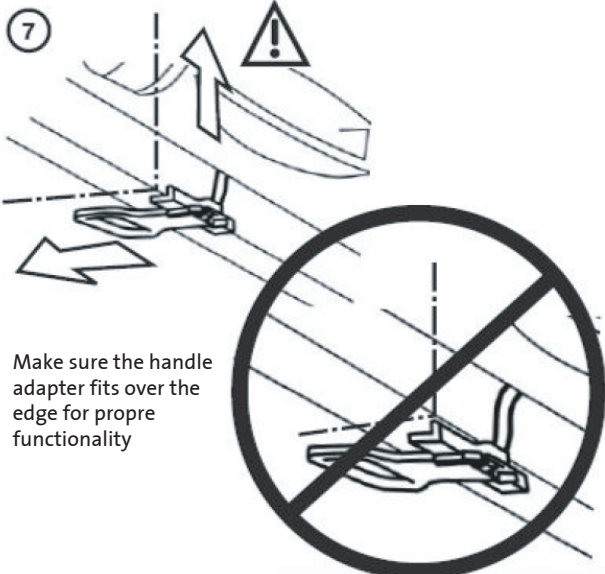
  
 12:00 h  


**6** Wait for 12h before processing

  
**REAR**

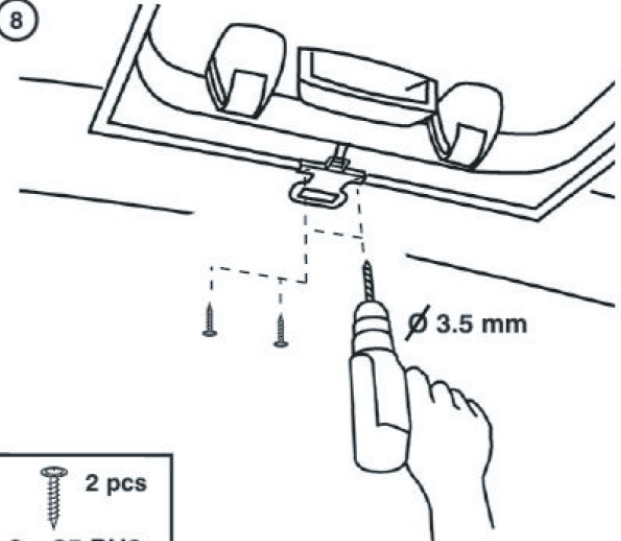


**7**




Make sure the handle adapter fits over the edge for propre functionality

**8**



$\varnothing$  3.5 mm

 2 pcs  
 4,2 x 25 PH2

**9**

