

SPLIT SYSTEMS FOR SPECIALITY AND EMERGENCY VEHICLES

# TROPICOOOL

25014 SKIRT MOUNTED CONDENSER



## PERFORMANCE, RELIABILITY & LOOKS

Spheros provides the best performance and reliability for the application your vehicle requires by manufacturing several different condenser designs keeping in mind the speciality and emergency vehicle market.

[WWW.SPHEROS.COM/US](http://WWW.SPHEROS.COM/US)

**SPHEROS**

# 25014 SKIRT MOUNTED CONDENSER

## HIGHLIGHTS



### Design

- Designed to be skirt mounted
- High performance motors with extended brush life
- Fabricated from galvanized steel & covered in corrosion resistant epoxy for durability
- Inlet filter on condenser protects coil from contaminants



### Environmental Friendliness

- High performance parallel flow condenser
- Highly efficient all aluminum micro channel coil

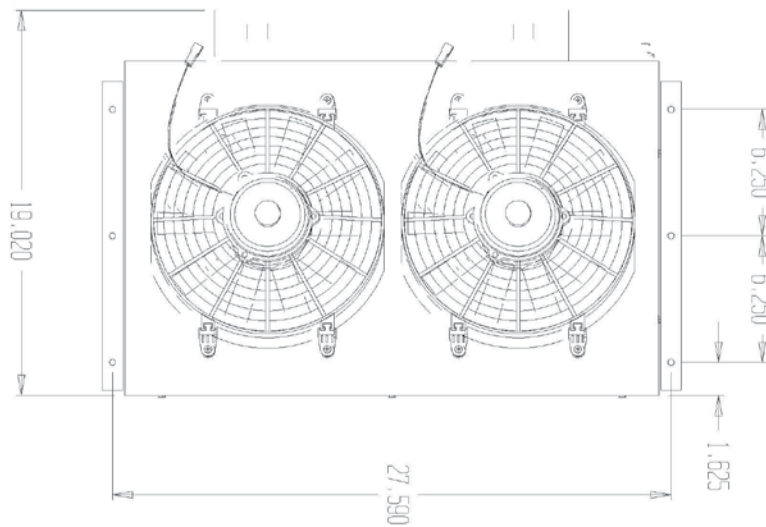


### Features

- Two 11" diameter high performance fans covering a larger percentage of surface area on condenser coil
- Standard ambulance condenser
- White powder coat finish for durability

### Key Components

- Coil: 11128018A
- Fan: 11130746A (2)



## TECHNICAL DATA

Model	Up to Cooling Capacity	Power Consumption	Nominal Voltage	Dimensions W x H x D	Weight
25014	40,000 BTU/h	18 Amps	12V	30 x 7 x 19 in	48 lbs.