

PREMIUM BUS HEATER

# THERMO E+

120 / 200 / 320



## LIGHTWEIGHT WITH SILENT POWER

In addition to its low weight, the Thermo E+ series is a real winner in terms of consumption. And it was almost a foregone conclusion that our heaters would work efficiently even at temperatures as low as  $-40^{\circ}\text{C}$ .

They are available in 12V or 24V and also with a single or dual fuel line system. The 12 kW version was conceived as an auxiliary heater for mini, midi and e-buses. Incidentally, it is one of the shortest, and at 13.5 kg one of the lightest heaters in its class.

[WWW.SPHEROS.COM/US](http://WWW.SPHEROS.COM/US)

**SPHEROS**

# THERMO E+ 120 / 200 / 320

## HIGHLIGHTS



### Low life-cycle costs

- Simple maintenance via Thermo Test Diagnosis (STT)
- Further savings in fuel consumption due to low heater weight



### Reliability & durability

- Powerful even in cold areas up to -40°C
- High safety standards due to temperature sensors and self protection function



### Environmentally friendliness

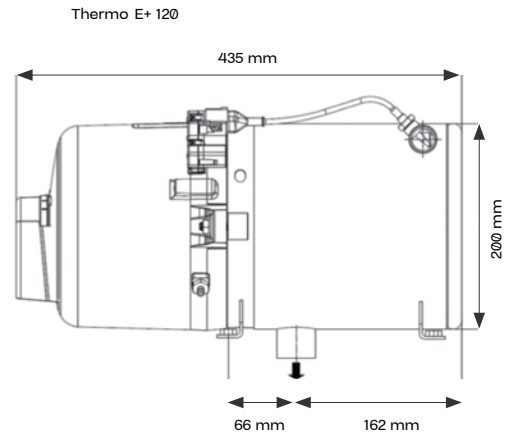
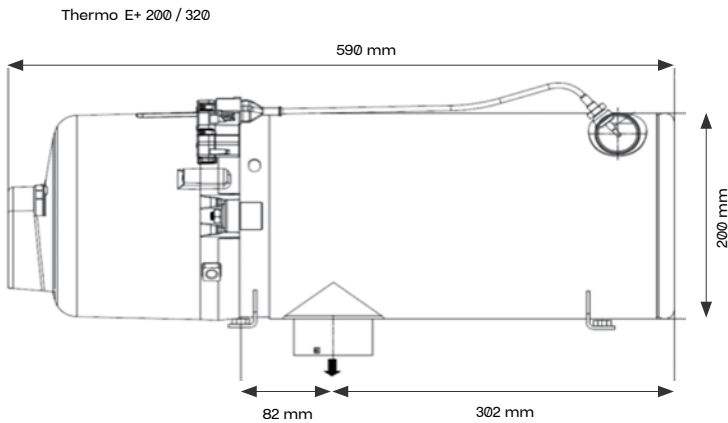
- Low fuel consumption due to high efficiency
- Suitable for alternative fuels according to DIN EN 15940
- Fuel savings due to external control of the circulation pump
- Emission values significantly below current standards
- Noise emission optimized



### Extended application range

- Wide range of applications
  - Due to 12 kW version even in mini,- and midi buses
  - as an additional heater in E-buses
- Available in 12V or 24V
- As single or dual fuel line system
- Thermo E+ 120 is one of the shortest heaters in its class

## Installation dimensions for Thermo E+



## TECHNICAL DATA

	Thermo E+ 320	Thermo E+ 200	Thermo E+ 120
Heat output (kW)	32	20	12
Fuel consumption (l/h)	3.2 - 4.1	2.0 - 2.7	3.2 - 4.1
Rated voltage (V)	12/24	12/24	12/24
Temperature range in operation (°F)	-40 to 185°F	-40 to 185°F	-40 to 185°F
Dimensions L x W x H (in)	23.23 x 9.76 x 8.82	23.23 x 9.76 x 8.82	17.13 x 9.76 x 8.82
Weight (kg)	17.3	16.5	13.5