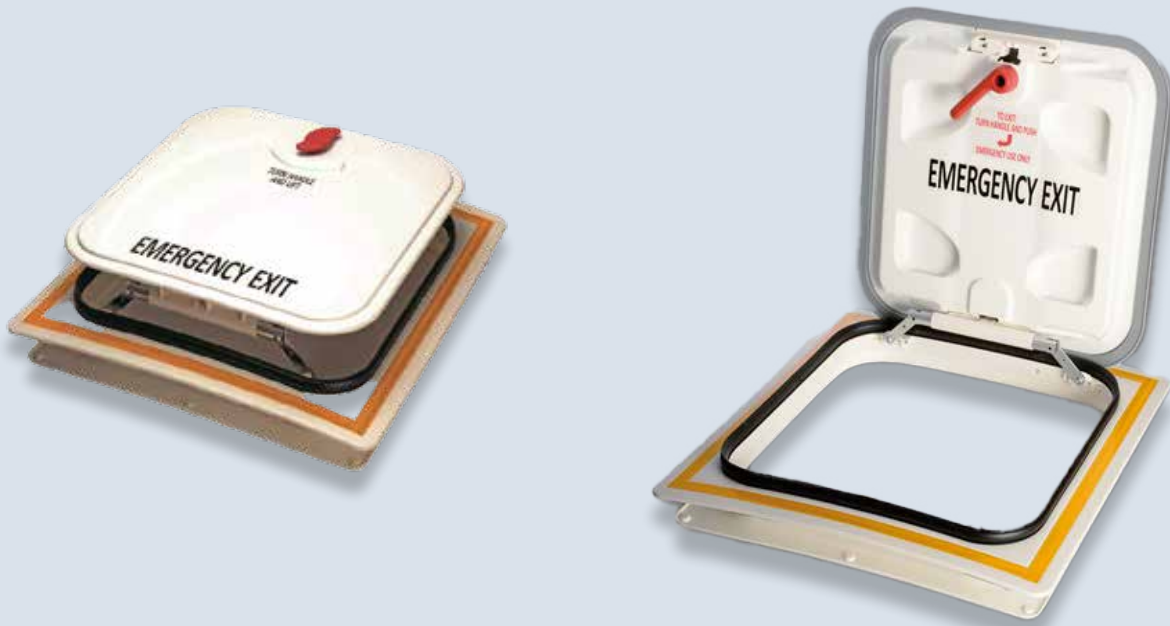


# SMART HATCH



## SMART HATCH FOR A SMART FIT

SMART is an emergency escape and ventilation roof hatch designed to meet all demands of the areas which require FMVSS or CMVSS approved escape hatches. The hatch can be mounted with screws, glue or by optional clip quick-fit mounting.

The light in weight, excellent ventilation, and extremely robust hatch is very easy to install, and has the best ever emergency release mechanism.

Integrated Emergency Exit Indicator alerts the driver if the emergency exit has been released.

## HIGHLIGHTS



### Low Life-Cycle Cost

- Maintenance free
- UV and weather proof materials
- No operation cost for basic and static version
- Less fuel consumption due to light weight



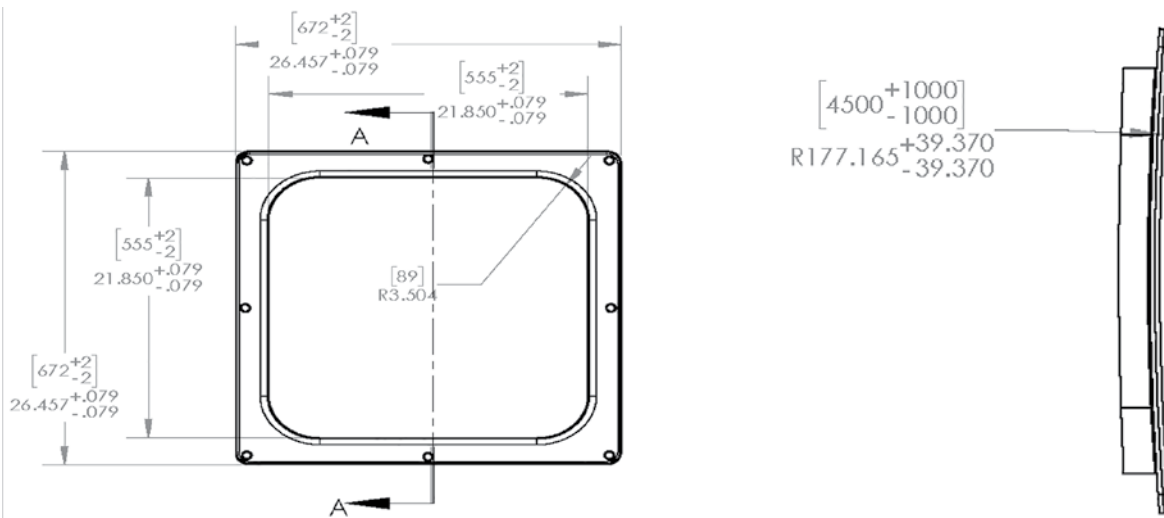
### Environmentally friendly

- No energy needed for basic ventilation
- Optional ventilator boosts cooling
- Swift cooling when parallel with A/C and exhaust fan



### Comfort

- Hatch can be used as a door
- Emergency Release Indicator
- Ventilator fan has high capacity
- Easy relatching mechanism
- Available also with static ventilation
- Optional quick-fit mounting



## TECHNICAL DATA

	Smart Basic	Smart Static
Cut-off (in)	24 x 24	24 x 24
Dome (in)	(A) 23 x (B) 23	(A) 23 x (B) 23
Interior opening (in)	(D) 18 x (C) 20	(D) 18 x (C) 20
Height close / open (in)	(F1) 1.8 / (E1) 5.5	(F2) 3 / (E2) 6
Ventilation opening (in)	(G) 3	(G) 3
Weight (lbs)	11.5	13
Ventilator Voltage (V)	-	-
Ventilator air displacement (m <sup>3</sup> )	-	-
Fuse (A)	-	-
Emergency Exit approval	FMVSS, CMVSS	FMVSS, CMVSS
Flammability approval	FMVSS 302	FMVSS 302
EMC approval	-	-