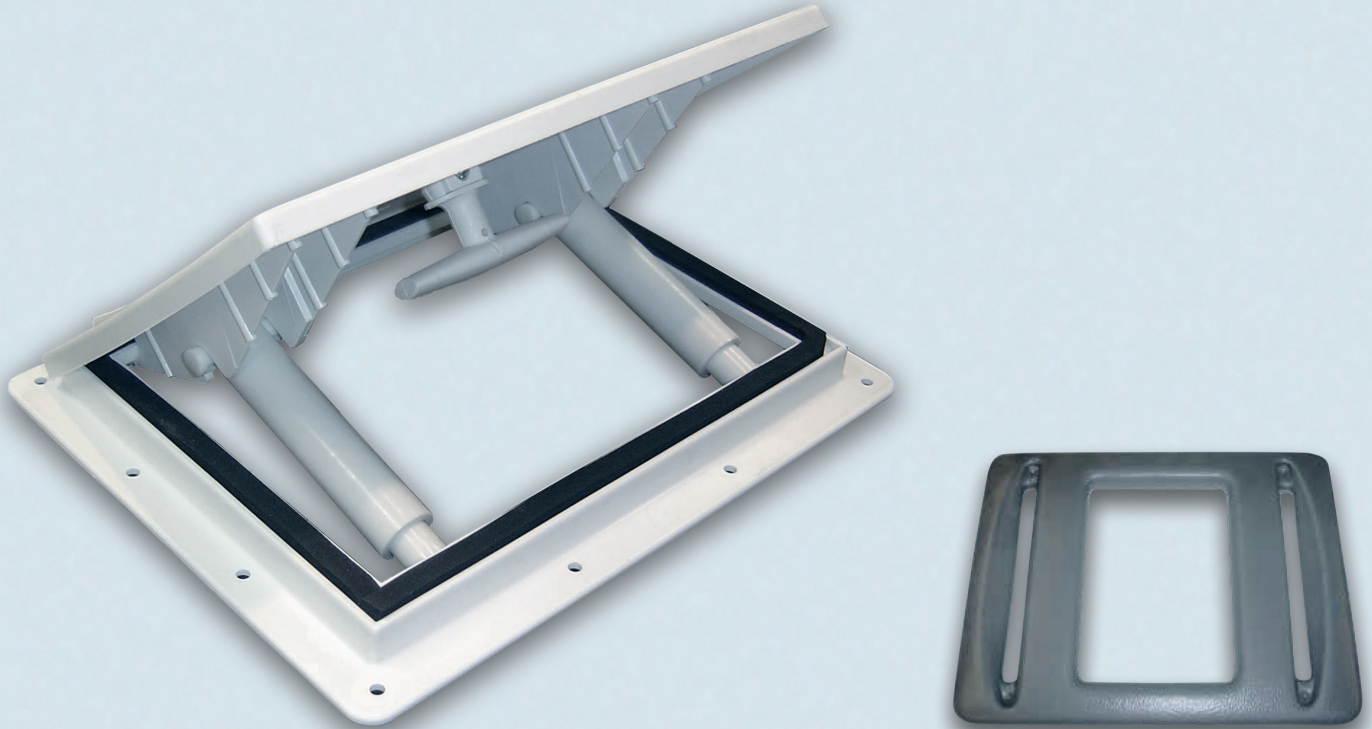


G1W Ventilation Hatch



Effective static ventilation

G1W is well-known as a reliable ventilation hatch for multi purpose use. With its large opening (45°) this unit is ideal in vans, special vehicles, animal transport vehicles, and campers e.g. where extra air exchange is needed.

The hatch and the durable spring mechanisms with open/closed position are made with injection molded plastic parts making the unit rustproof and robust in use. The ventilation hatch is available in white (G1W). Additionally, an interior trim in grey (G1INF) is available to order.

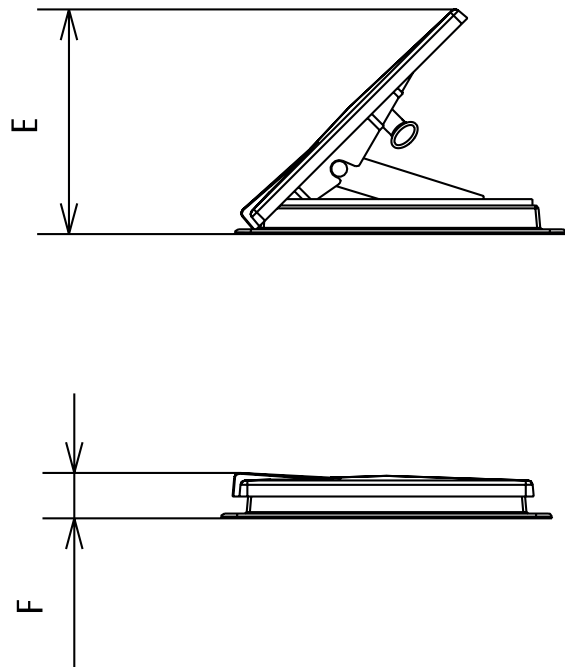
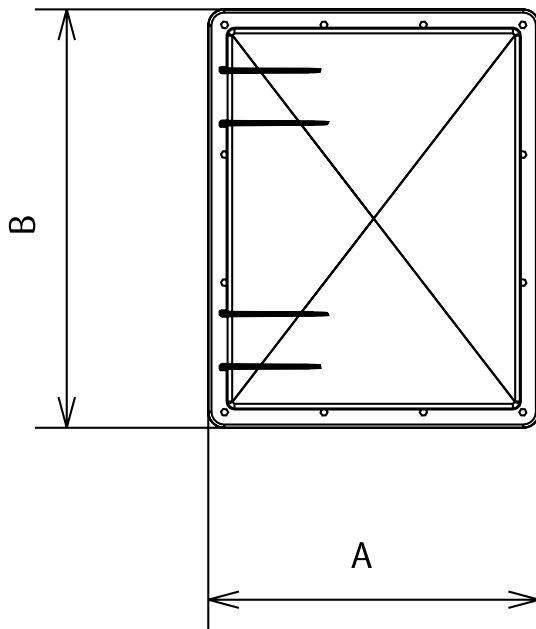
G1W Ventilation Hatch

HIGHLIGHTS



Comfort

- Manual operation
- Shock proof
- UV proof
- Extremely durable
- Great ventilation capacity
- Optional interior trim available



TECHNICAL DATA

	G1W
Dimensions Roof Opening (mm)	168 x 224
Cut-off (mm)	164 x 224
Dome Length x Width (A x B in mm)	208 x 263
Inner Width x Length (C x D in mm)	224 x 168
Height, above roof (E in mm)	30
Height, in total (F in mm)	135
Opening (mm)	100
Weight of hatch (kg)	0.45